

DS-2CD6D24FWD-(I)Z(H)(S)

8 MP H.265+ EXIR Flexible PanoVu Network Camera Series



- 1/2.7" Progressive Scan CMOS
- 1920 × 1080 @ 30 fps
- 4 x (1920 x 1080 @ 30 fps), 8 MP Total
- 4 x (2.8-12 mm) Motorized Lenses
- FOV: Horizontal 30° to 96.3°, Vertical 17° to 54°, Diagonal 34° to 121°
- H.265+, H.265, H.264+, H.264
- True Day/Night
- 120 dB WDR
- 6 Behavior Analyses, 4 Exception Detection, and Face Detection
- 98' (30 m) IR Range
- IP67, IK10
- 4 x 3-Axis Individual Camera Gimbals

Hikvision's DS-2CD6D24FWD-(I)Z(H)(S) 8 MP H.265+ EXIR PanoVu Flexible Outdoor Network Camera features 1/2.7" progressive scan CMOS sensors and four lenses. Each lens supports 1080p at 30 fps. Compression up to H.265+ saves bandwidth and storage space. EXIR technology (-I) extends the IR range to 98 feet (30 meters).

Available Models:

DS-2CD6D24FWD-Z

DS-2CD6D24FWD-IZHS

-Z: *Zoom lens*

-I: *IR*

-H: *Heater, start-up at -40°C*

-S: *1 audio input (line in), 1 audio output, 2 alarm inputs and 2 alarm outputs, and 1 RS-485 interface*



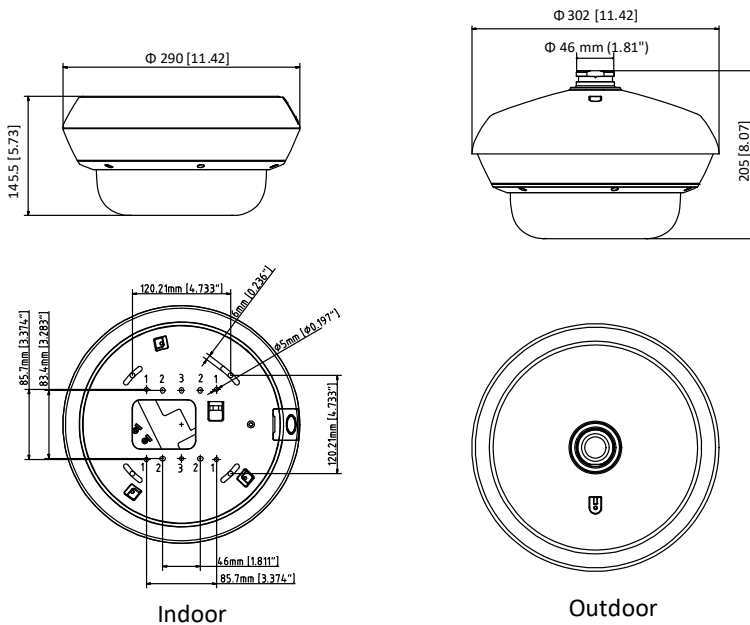
Specifications

Camera		
Image Sensors	4 x 2 MP 1/2.7" progressive scan CMOS	
Minimum Illumination	Color: 0.006 lux @ (f/1.2, AGC on), 0.01 lux @ (f/1.6, AGC on) B/W: 0.002 lux @ (f/1.2, AGC on); 0.003 lux @ (f/1.6, AGC on) 0 lux with IR on	
Shutter Speed	1/25 s to 1/100,000 s	
Auto-Iris	No	
Day/Night	IR cut filter	
Digital Noise Reduction	3D DNR	
WDR	120 dB	
3-Axis Adjustment	Four flexible lens in one track, slide range: -180° to 180°, tilt: 0° to 135°, rotate: 0° to 355°	
Lens		
Focal Length	2.8 mm to 12 mm	
Aperture	f/1.6	
FOV	Horizontal field of view: 30° to 96.3° Vertical field of view: 17° to 54° Diagonal field of view: 34° to 121°	
Lens Mount	Ø14	
IR		
IR Range	33' to 98' (10 m to 30 m)	
Wavelength	850 nm	
Compression Standard		
Video Compression	Main stream: H.265+/H.265/H.264+/H.264 Sub stream: H.265+/H.265/H.264+/H.264/MJPEG Third stream: H.265+/H.265/H.264+/H.264	
H.264 Type	Baseline Profile/Main Profile/High Profile	
H.264+	Supported	
H.265 Type	Main Profile	
H.265+	Supported	
Video Bit Rate	32 Kbps to 16 Mbps	
Audio Compression [-S]	G.711/G.722.1/G.726/MP2L2/PCM/AAC	
Audio Bit Rate [-S]	64 Kbps (G.711)/16 Kbps (G.722.1)/16 Kbps (G.726)/32-192 Kbps (MP2L2)/16-64 Kbps (AAC)	
Smart Features		
Behavior Analysis	Any single channel, or channels 1+3, or 2+4	Line crossing detection, intrusion detection, region entrance detection, region exiting detection, unattended baggage detection, object removal detection
Exception Detection		Audio exception detection [-S], scene change detection, defocus detection
Face Detection		Yes
Region of Interest	Supports 4 fixed regions for each stream	
Image		
Maximum Resolution	1920 × 1080	
Original Image	Main Stream	30 fps (1920 × 1080, 1280 × 960, 1280 × 720)
	Sub-Stream	30 fps (704 × 480, 640 × 480)
	Third Stream	30 fps (1920 × 1080, 1280 × 960, 1280 × 720, 704 × 480, 640 × 480)
Full FOV Resolution	Total	7680 × 1080
	Per Sensor	1920 × 1080
Image Enhancement	BLC, 3D DNR, EIS	
Image Setting	Rotate mode, saturation, brightness, contrast, sharpness, and white balance are adjustable by client software or Web browser	
SVC	H.264 supported	
Day/Night Switch	Day/Night/Auto/Schedule/Triggered by Alarm In [-S]	
Picture Overlay	LOGO picture can be overlaid on video with 128 × 128 24-bit bmp format	
Network		
Network Storage	Supports microSD/SDHC/SDXC card (128 GB), local storage, and NAS (NFS, SMB/CIFS), ANR	
Alarm Trigger	Motion detection, video tampering alarm, network disconnected, IP address conflict, illegal login, HDD full, HDD error	
Protocols	TCP/IP, ICMP, HTTP, HTTPS, FTP, DHCP, DNS, DDNS, RTP, RTSP, RTCP, PPPoE, NTP, UPnP, SMTP, SNMP, IGMP, 802.1X, QoS, IPv6, UDP	
General Function	One-key reset, anti-flicker, mirror, heartbeat, password protection, privacy mask, watermark, IP address filter	
API	ONVIF (PROFILE S, PROFILE G), ISAPI	
Simultaneous Live Views	Up to 20 channels	
User/Host	Up to 32 users, 3 levels: Administrator, Operator, and User	
Client	iVMS-4200	
Web Browser	IE8+, Chrome 31-44, Firefox 30.0-51	

Specifications (continued)

Interface		
Audio (-S)	1-ch 3.5 mm input (line in/mic in), 1-ch 3.5 mm output, dual-track, stereo	
Communication Interface	1 RJ-45 10M/100M/1000M Ethernet port 1 RS-485 interface (-S)	
Alarm (-S)	2 inputs, 2 outputs (up to 24 VDC, 1 A or 110 VAC, 500 mA)	
On-Board Storage	Built-in microSD/SDHC/SDXC slot, up to 128 GB	
Reset Button	Yes	
Audio (-S)		
Environment Noise Filtering	Supported	
Audio Sampling Rate	8 kHz/16 kHz/32 kHz/44.1 kHz/48 kHz	
General		
NVR Compatibility	Fully compatible with Hikvision I Series NVRs, compatible with E Series up to H.264+	
Operating Conditions	-30° to 60° C (-22° to 140° F); -H: -40° to 60° C (-40° to 140° F) Humidity 95% or less (non-condensing)	
Power	-Z	12 VDC ±25%, 12 W PoE (802.3af) 13 W
	-IZHS	12 VDC ±25%, 28 W Hi-PoE 34 W (PoE injector included)
Protection Level	IP67, IK10	
Gimbals	4 x 3-axis with 360° pan, 90° tilt, and 360° Z-axis	
Material	Aluminum alloy, engineering plastics	
Dimensions	Camera: $\varnothing 290$ mm \times 145.5 mm ($\varnothing 11.42$ " \times 5.73") Package: 453 mm \times 393 mm \times 385 mm (17.8" \times 15.47" \times 15.16")	
Weight	Camera: approximately 4.7 kg (10.3 lb) With package: approximately 7.7 kg (16.8 lb)	

Dimensions



Accessories

	
WMP-L Wall Mount	WMP-PV Wall Mount
	
CPM-S Pendant Mount	PMP Vertical Pole Mount
	
CMP Corner Mount	Pendant Cap (Included)